

# DUIROLIFT

## QUICK LIFT PALLET TRUCK 2500

### Features

Quick Lift - within 2 strokes

Additional Entry and Exit Rollers

Ergonomic Handle

New Fork Design for more strength

Self-Lubricating Bearings

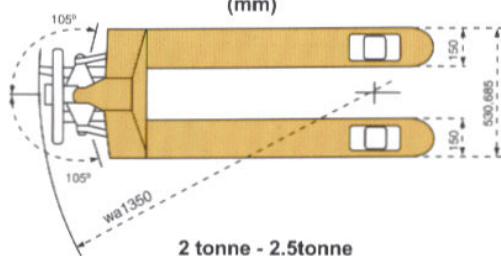
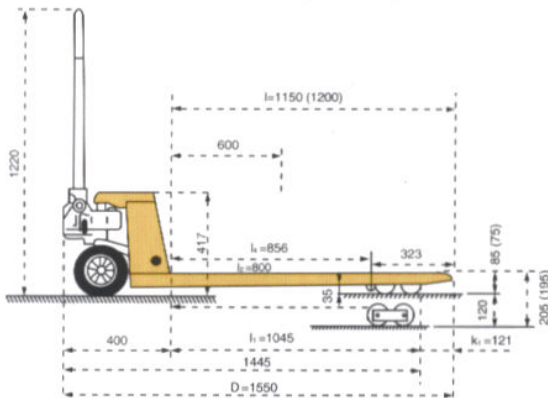
Adjustable Push Rod



### Specifications

Stock Number	<b>DL5</b>	Forks Length	1150 mm
Capacity - kg	2500 kg	Net Weight	77 kg
Fork Lift Height - Minimum	85 mm	General Description	Longer Life hydraulic pump, Adjustable Push Rod
Fork Lift Height - Maximum	205 mm		
Individual Fork Width	150 mm		
Overall Fork Width	530 mm	Price	£ 250 ex. works

( All Prices exclude Delivery and V.A.T. & are Subject to Change Without Notice )



2 tonne - 2.5tonne

